

SCOTTS VALLEY WATER DISTRICT STANDARD NOTES FOR ON-SITE RECYCLED WATER IRRIGATION SYSTEMS:

1. PRIOR TO RECEIVING RECYCLED WATER, THE SITE MUST BE PERMITTED BY SVWD. A PERMIT WILL BE GRANTED AFTER:
 - INSPECTION BY SVWD HAS BEEN COMPLETED SHOWING CONFORMANCE WITH SVWD RULES AND REGULATIONS;
 - A FINAL ON-SITE INSPECTION HAS BEEN CONDUCTED TO CONFIRM THAT ALL REQUIREMENTS HAVE BEEN MET;
 - SITE HAS PASSED REQUIRED CROSS-CONNECTION TEST PERFORMED BY A CERTIFIED AWWA CROSS-CONNECTION SPECIALIST (IF SITE IS NOT TO RECEIVE POTABLE WATER, THEN REQUIRED CROSS-CONNECTION TEST IS WAIVED);

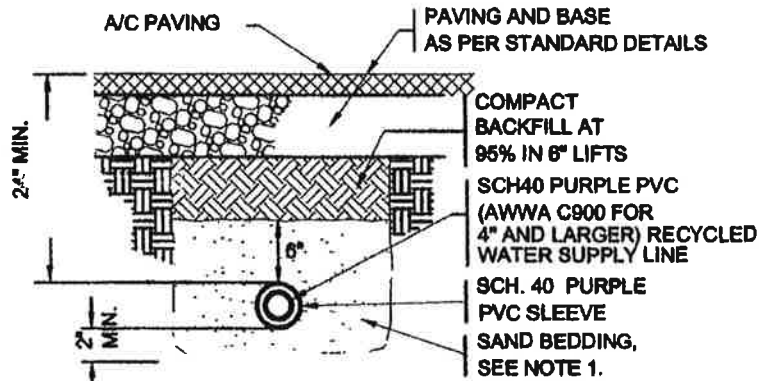
THE OWNER'S OR TENANT'S REPRESENTATIVE MUST ALSO COMPLETE A SITE SUPERVISOR TRAINING CLASS OFFERED BY SVWD IN ORDER TO RECEIVE A PERMANENT PERMIT. IN THE INTERIM BETWEEN CONNECTION AND TRAINING, THE TENANT OR OWNER WILL RECEIVE A TEMPORARY RECYCLED WATER PERMIT. CONTACT SVWD AT (831) 438-2363 FOR FURTHER INFORMATION.

2. ALL WORK SHALL CONFORM TO EXISTING REGULATIONS INCLUDING BUT NOT LIMITED TO:
 - SCOTTS VALLEY WATER DISTRICT (SVWD) WATER RECYCLING PROGRAM RULES AND REGULATIONS
 - SVWD CUSTOMER ON-SITE DESIGN MANUAL
 - DEPARTMENT OF HEALTH SERVICES REGULATIONS
3. CHANGES MADE TO THE APPROVED IRRIGATION PLANS SHALL BE SUBMITTED TO SVWD FOR REVIEW AND APPROVAL AT LEAST 2 WEEKS PRIOR TO START OF CONSTRUCTION.
4. AT LEAST TWO DAYS PRIOR TO START OF CONSTRUCTION, CONTRACTOR AND SVWD INSPECTOR SHALL HOLD A PRE-CONSTRUCTION MEETING. TO SCHEDULE MEETING, CONTACT SVWD AT (831) 438-2363.
5. NOTIFY SVWD INSPECTOR A MINIMUM OF AT LEAST 24 HRS BEFORE WORK BEGINS. SVWD INSPECTOR MUST INSPECT AND/OR VERIFY:
 - PRESENCE OF BACKFLOW PREVENTION AT ALL POTABLE POINTS OF CONNECTION
 - NEW UNDERGROUND PIPING (LABELING, CLEARANCES, BURIAL DEPTH, SLEEVING)
 - PRESSURE TEST
 - INSTALLATION OF SIGNS, TAGS, AND CONTROLLER DECALS
 - SITE PASSED A CROSS-CONNECTION TEST PERFORMED BY A CERTIFIED AWWA CROSS-CONNECTION SPECIALIST
 - NEW METER INSTALLATION
 - COVERAGE TEST
6. NO CROSS-CONNECTIONS BETWEEN THE POTABLE AND RECYCLED WATER SYSTEMS ARE PERMITTED.
7. ALL ON-SITE BURIED RECYCLED WATER PIPING SHALL BE IDENTIFIED BY ONE OF THE FOLLOWING METHODS:
 - USING PURPLE-COLORED PVC PIPE WITH CONTINUOUS WORDING: "CAUTION – RECYCLED WATER" PRINTED ON OPPOSITE SIDES OF THE PIPE; PIPE SHALL BE LAID WITH WORDING FACING UPWARDS.
 - WARNING TAPE WITH A MINIMUM WIDTH OF 3 INCHES READING: "CAUTION – RECYCLED WATER" (IN BLACK OR WHITE LETTERING ON PURPLE BACKGROUND) SHALL RUN CONTINUOUSLY ON TOP OF PIPING AND SHALL BE ATTACHED TO PIPING WITH PLASTIC TAPE BANDED AROUND THE WARNING TAPE AND THE PIPE EVERY 5 FEET ON CENTER
8. PVC PIPE: CONSTANT-PRESSURE MAINLINE PIPING 1-1/2 INCHES AND SMALLER SHALL BE SCHEDULE 40; CONSTANT-PRESSURE MAINLINE PIPING 2 INCHES AND LARGER SHALL BE CLASS 315; INTERMITTENT-PRESSURE LATERAL PIPING SHALL BE CLASS 200 OR SCHEDULE 40. COPPER PIPE SHALL BE TYPE "K".
9. ALL ON-SITE RECYCLED WATER PIPING SHALL BE BURIED TO A MINIMUM DEPTH FROM FINISHED GRADE TO TOP OF PIPE (MINIMUM COVER) OF:

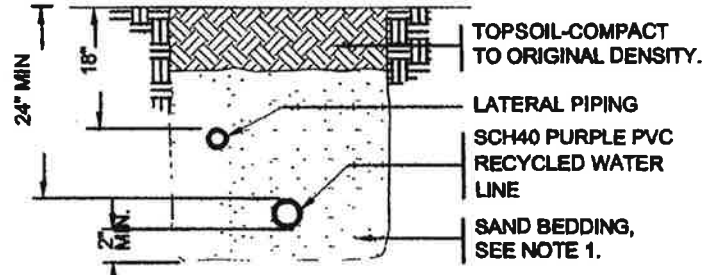
• PRESSURIZED LINES 3 INCHES AND LARGER	24 INCHES
• PRESSURIZED LINES 2 1/2 INCHES AND SMALLER	18 INCHES
• INTERMITTENT-PRESSURE LINES	12 INCHES

SCOTTS VALLEY WATER DISTRICT STANDARD NOTES FOR ON-SITE RECYCLED WATER IRRIGATION SYSTEMS:

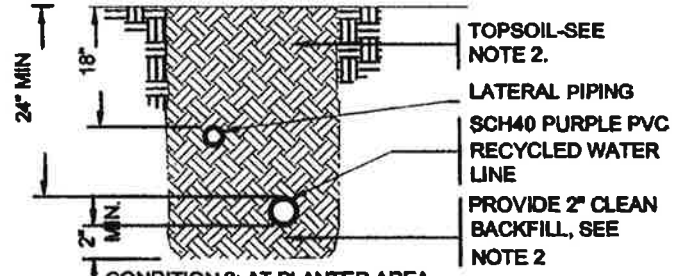
10. ALL RECYCLED WATER PIPING OTHER THAN PVC PIPING WITH SOLVENT WELDED JOINTS SHALL BE PROTECTED AGAINST MOVEMENT WITH THRUST BLOCKS OR RESTRAINED JOINTS OR OTHER APPROVED METHOD PER SVWD DETAILS.
11. MAINTAIN A 10-FOOT HORIZONTAL SEPARATION BETWEEN PRESSURIZED RECYCLED WATER IRRIGATION PIPING AND POTABLE WATER PIPING UNLESS OTHERWISE NOTED. AT PIPE CROSSINGS, RECYCLED WATER IRRIGATION PIPING MUST BE 12 INCHES BELOW POTABLE WATER LINES. IF RECYCLED WATER PIPING MUST CROSS OVER POTABLE WATER LINES, THE RECYCLED WATER PIPING SHALL BE AT LEAST 12 INCHES ABOVE THE POTABLE LINES AND SHALL BE INSTALLED IN A PVC PIPE SLEEVE WHICH EXTENDS A MINIMUM OF 10 FEET ON EITHER SIDE OF THE POTABLE WATER PIPING.
12. ALL RECYCLED WATER SYSTEM REMOTE CONTROL VALVES, ISOLATION VALVES, QUICK COUPLING VALVES, STRAINERS, AND PRESSURE-REGULATING VALVES SHALL BE INSTALLED BELOW GRADE IN VALVE BOXES. GREEN OR PURPLE-COLORED BOXES AND LIDS ARE ACCEPTABLE. VALVE BOXES SHALL HAVE A WARNING LABEL PERMANENTLY ATTACHED OR AFFIXED ONTO THE LID WITH RIVETS, SCREWS, OR BOLTS. WARNING LABELS SHALL BE PER SVWD STANDARD DETAIL RW-37.
13. NO HOSE BIBS ARE ALLOWED ON THE RECYCLED WATER IRRIGATION SYSTEM. ANY EXTERIOR HOSE BIBS SERVED WITH POTABLE WATER MUST BE LABELED PER SVWD STANDARD DETAIL RW-35.
14. ALL RECYCLED WATER METERS, DEVICES, AND VALVES – ISOLATION VALVES, IRRIGATION CONTROLLERS, REMOTE CONTROL VALVES, PRESSURE REGULATING VALVES, QUICK COUPLING VALVES, ETC. - SHALL BE TAGGED PER SVWD STANDARD DETAILS RW-35 AND RW-37.
15. LABEL ALL POTABLE WATER METERS AND ABOVE GROUND POTABLE WATER PIPES AND DEVICES (BACKFLOW PREVENTERS, HOSE BIBS, ETC.) WITH TAGS OR LABELS READING: "POTABLE WATER" IN BLACK LETTERS ON BLUE BACKGROUND, PER SVWD DETAIL RW-35.
16. ALL RECYCLED WATER IRRIGATION SYSTEMS SHALL HAVE THE FOLLOWING:
 - A WYE STRAINER (WITH A 20-MESH OR FINER SCREEN) INSTALLED AS CLOSE AS PRACTICABLE TO THE RECYCLED WATER METER BOX.
 - A PRESSURE -REGULATING VALVE INSTALLED IMMEDIATELY DOWNSTREAM OF THE STRAINER (UNLESS OTHERWISE DIRECTED BY SVWD).
 - THESE COMPONENTS SHALL BE INSTALLED WITH ISOLATION VALVES TO FACILITATE MAINTENANCE.
17. RECYCLED WATER ADVISORY SIGNS SHALL BE PER SVWD STANDARD DETAIL RW-36 AND SHALL BE POSTED PER LOCATIONS SHOWN ON IRRIGATION PLANS.
18. INSTALLATION OF DIRECT INJECTION SYSTEMS ON THE RECYCLED WATER IRRIGATION SYSTEM IS NOT PERMITTED.
19. NO DRINKING FOUNTAINS OR EATING AREAS ARE ALLOWED IN THE APPROVED RECYCLED WATER USE AREA UNLESS ADEQUATELY PROTECTED FROM OVERSPRAY.
20. ALL RECYCLED WATER METERS WILL BE SET BY SVWD AFTER THE SITE'S OWNER, DEVELOPER, OR CONTRACTOR HAS APPLIED FOR RECYCLED WATER SERVICE, THE WATER SERVICE AGREEMENT HAS BEEN APPROVED, AND ALL APPLICABLE FEES HAVE BEEN PAID.
21. NO OVERSPRAY OR RUNOFF OF RECYCLED WATER IS ALLOWED ON ANY NON-APPROVED USE AREA. PONDING OF RECYCLED WATER DUE TO IRRIGATION IS NOT ALLOWED IN ANY AREA. UPON RECEIVING RECYCLED WATER, THE ON-SITE RECYCLED WATER IRRIGATION SYSTEM MUST PASS A COVERAGE TEST PERFORMED BY SVWD INSPECTOR.
22. CONTRACTOR SHALL SUBMIT AS-BUILT IRRIGATION PLANS TO SVWD WITHIN 90 DAYS OF SITE RECEIVING RECYCLED WATER.



CONDITION 1: UNDER NON-VEHICULAR TRAFFIC PAVING (SEE NOTE 6)

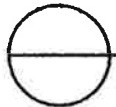


CONDITION 2: AT PLANTER IN ROCKY TERRAIN



CONDITION 3: AT PLANTER AREA

TRENCHING DETAILS



Irrigation Pipe Crossing Details
For On-site Project

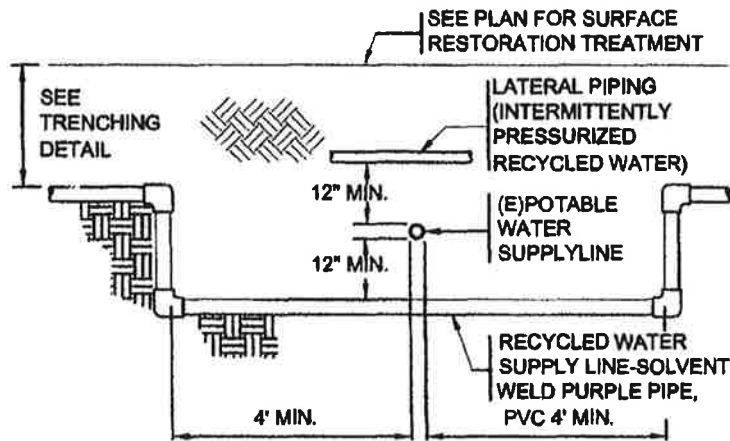
Scotts Valley Water District
 Approved By: *Jon Plausung*
 Approval Date: *JANUARY 2002*



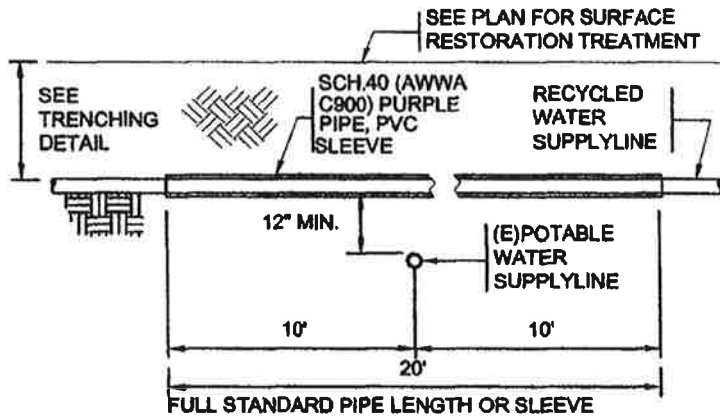
**RECYCLED WATER USE
CONSTRUCTION DETAILS**

Revision: 1

RW-21A



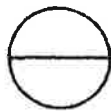
RECYCLED WATER SUPPLYLINE UNDER POTABLE WATER SUPPLYLINE



FULL STANDARD PIPE LENGTH OR SLEEVE

- NOTES: 1. If full pipe length not used, then sleeve.
 2. If tie-in to existing irrigation is needed, at less than 10', then sleeve up to tie-in point.

RECYCLED WATER SUPPLYLINE OVER POTABLE WATER SUPPLYLINE



Irrigation Pipe Crossing Details For On-site Project

Scotts Valley Water District

Approval By: *Jean Hanson*

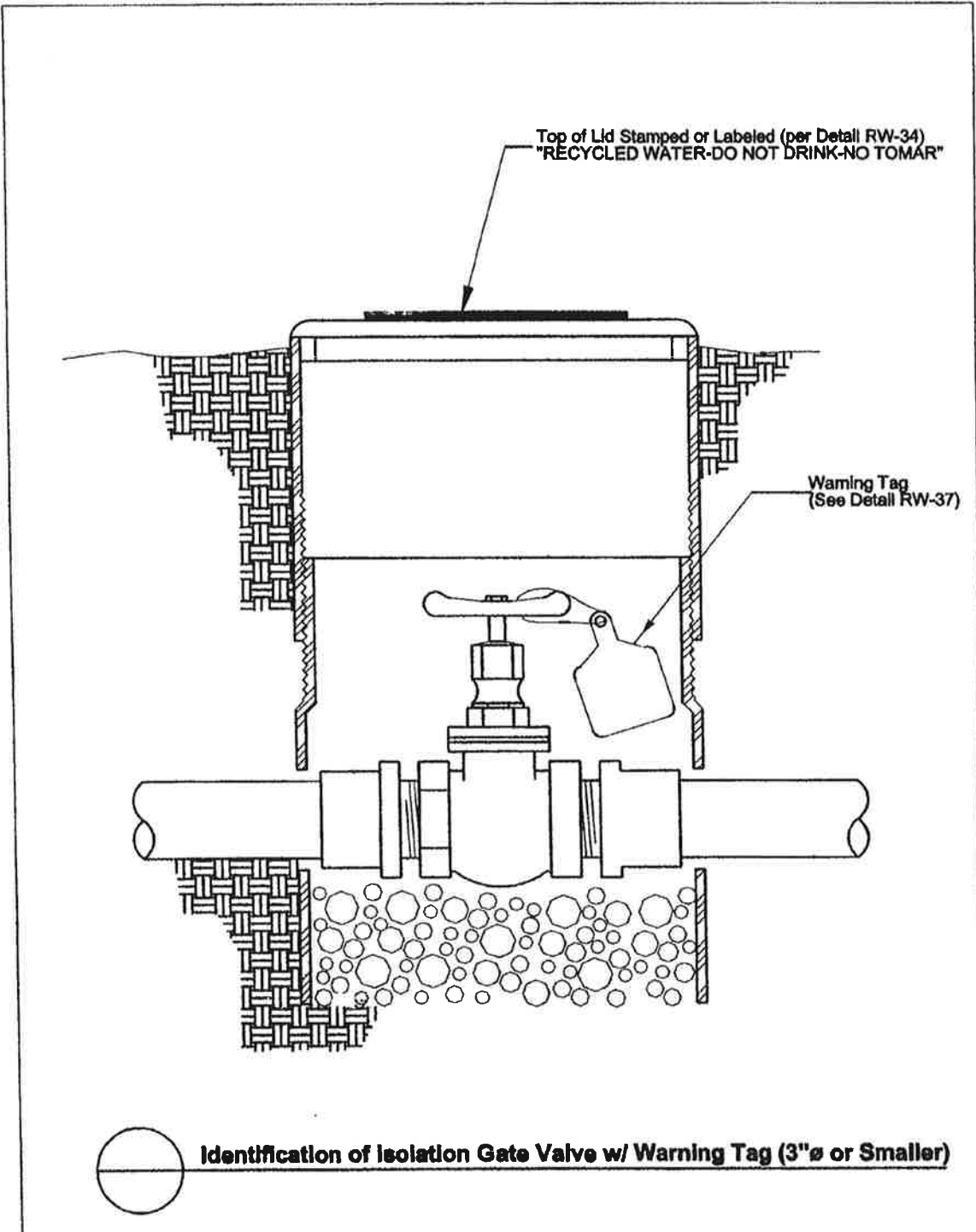
Approval Date: JANUARY 2002



RECYCLED WATER USE CONSTRUCTION DETAILS

Revision: 1

RW-21B



Scotts Valley Water District

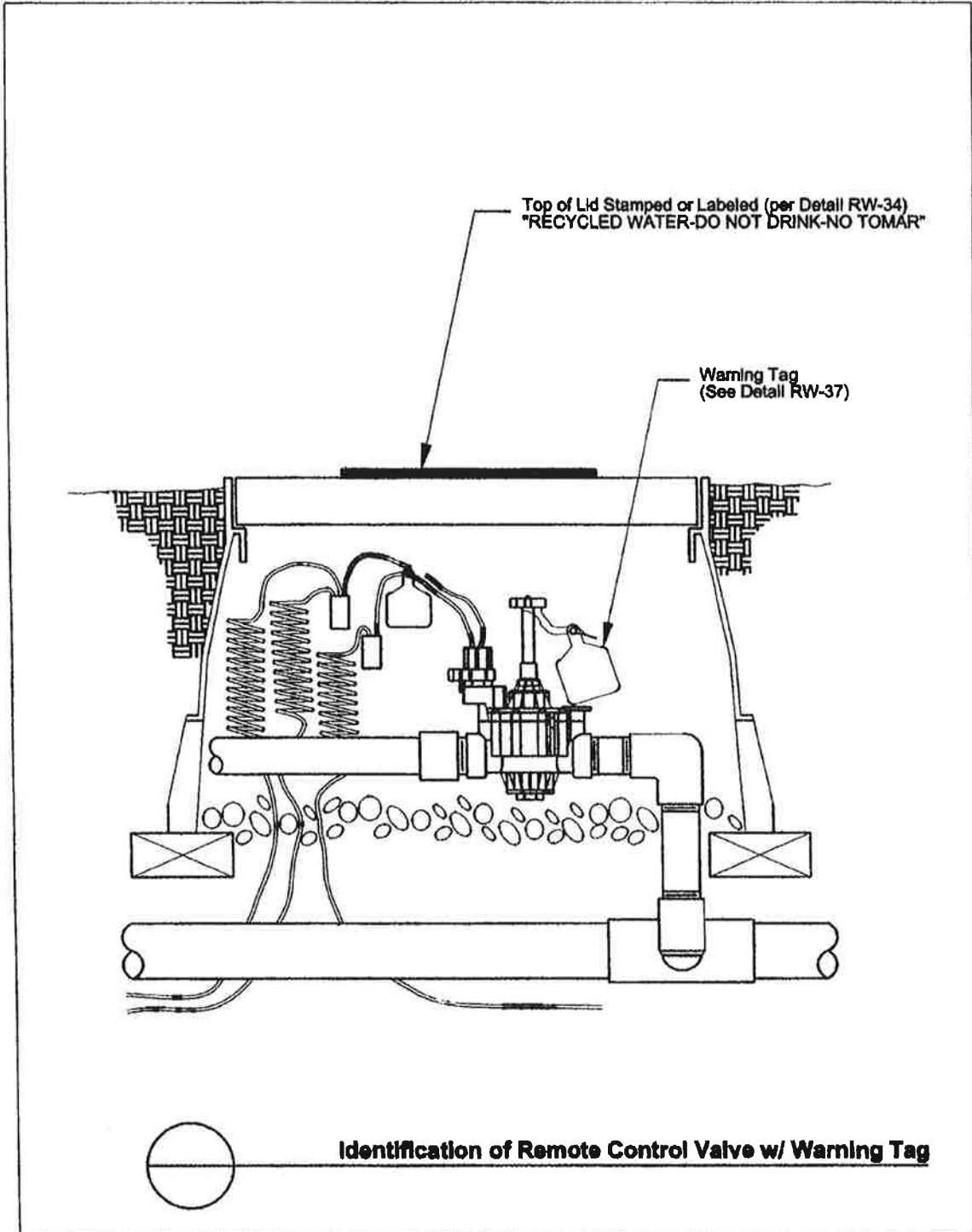
Approval By *John Sansing*

Approval Date *JANUARY 2002*



**RECYCLED WATER USE SITE
IDENTIFICATION DETAILS**

Revision: 1 RW-31



Scotts Valley Water District

Approval By: *Janet Sausing*

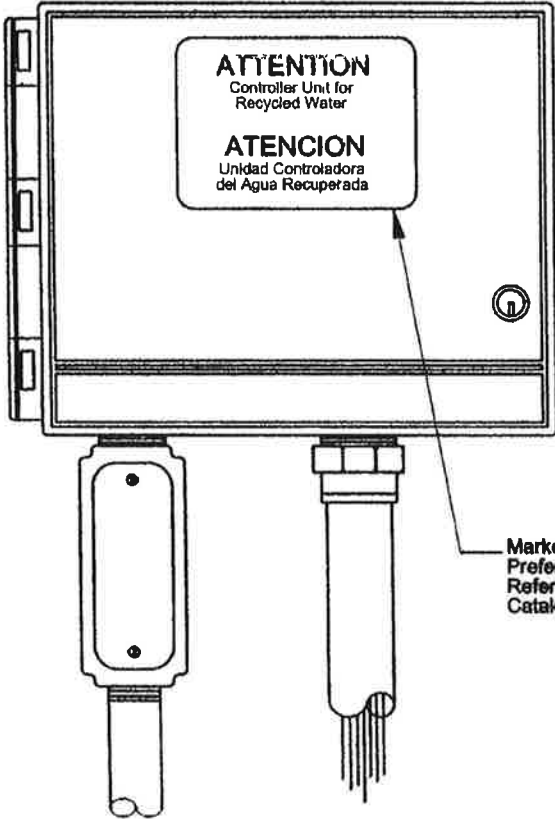
Approval Date: *JANUARY 2002*



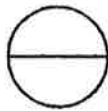
**RECYCLED WATER USE SITE
IDENTIFICATION DETAILS**

Number: 1

RW-32



Marker Decal Shown Affixed to Box Exterior
 Preferably, Affix to Interior of Box
 Reference: T. Christy Enterprises, Inc.
 Catalogy Part No. 4100 or equal.



**Identification of Irrigation System Controller
 w/ Advisory Warning Decal**

Scotts Valley Water District

Approved By: *Janet Hausing*

Approved Date: *JANUARY 2002*



**RECYCLED WATER USE SITE
 IDENTIFICATION DETAILS**

Revision: 1

RW-33

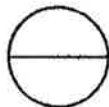
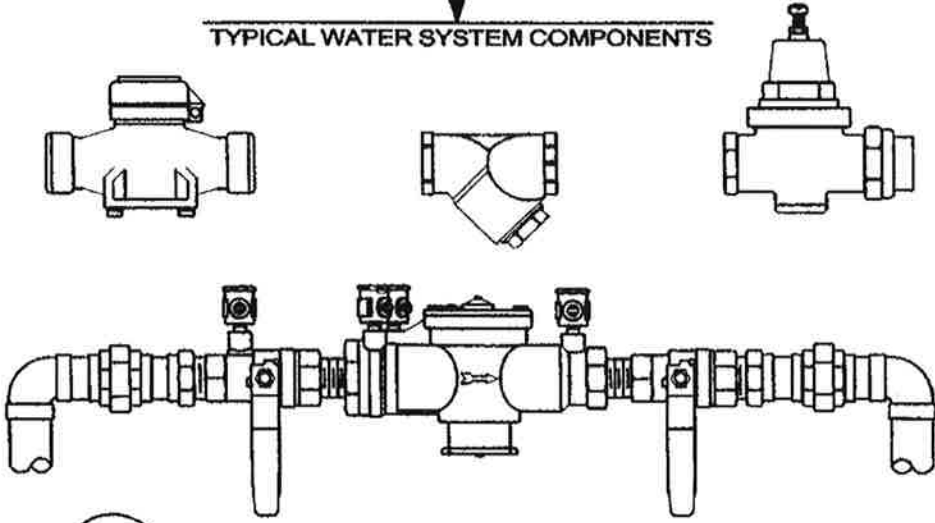
DRINKING WATER COLOR: BLUE

RECYCLED WATER COLOR: PURPLE



**Identify Water Usage Device
According to Type of Water Used**

TYPICAL WATER SYSTEM COMPONENTS



Identification of Water Control Devices w/ Warning Tag

Scotts Valley Water District

Approved by: *John Plausing*

Approval Date: *JANUARY 2007*



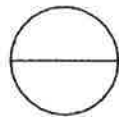
**RECYCLED WATER USE SITE
IDENTIFICATION DETAILS**

Revision: 1

RW-35



6" X 8" RECYCLED WATER METAL SIGN
 SAFEWAY SIGN COMPANY (760) 246-7070
 SAFEWAY PART NO. SVWD OR EQUAL



Recycled Water Advisory Sign

Scotts Valley Water District

Approved By: *Jacob Plausung*

Approval Date: *JANUARY 2002*



RECYCLED WATER USE SITE IDENTIFICATION DETAILS

Revision: 1

RW-36

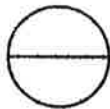


FRONT



BACK

SAMPLE WARNING TAG. BACKGROUND PURPLE
(PANTONE 512) WITH BLACK LETTERING.



Identification of Recycled Water Warning Tag

Scotts Valley Water District

Approval By: *John Pausing*

Approval Date: *JANUARY 2002*



**RECYCLED WATER USE SITE
IDENTIFICATION DETAILS**

Revision: 1

RW-37